

THE PORTLAND LOO

STRUCTURAL DRAWINGS

GENERAL NOTES

1. WEIGHT : 6,013 lbs
2. SQUARE FOOTAGE : 51.5
3. ALL STRUCTURAL STEEL TO BE FABRICATED AND ERECTED IN ACCORDANCE WITH AISC MANUAL 14TH EDITION & A.W.S. ALL PANELS, LOUVERS, AND ROOF TO BE 304 STAINLESS STEEL,
4. STRUCTURAL TUBING ASTM 500 GR. B
5. ANCHOR BOLTS 1/2" X 5" TITENS
6. ALL WELDING TO BE DONE BY CERTIFIED WELDERS.
7. ALL EXPOSED BOLTS AND SCREWS TO BE TAMPER RESISTANT FOR HEX PIN BITS.
8. RIVET NUTS TO BE C.F.T. SERIES AND STAINLESS STEEL 302.
9. ALL MATERIALS TO BE SAND BLASTED AND POWDER COATED
10. ALL STRUCTURES TO BE FABRICATED OFF SITE SHALL BE DONE IN SHOPS OR FABRICATORS LICENSED OR APPROVED BY THE BUILDING AND ENGINEERING DIVISION OF THE CITY FOR WHICH THE INSTALLATION WILL OCCUR

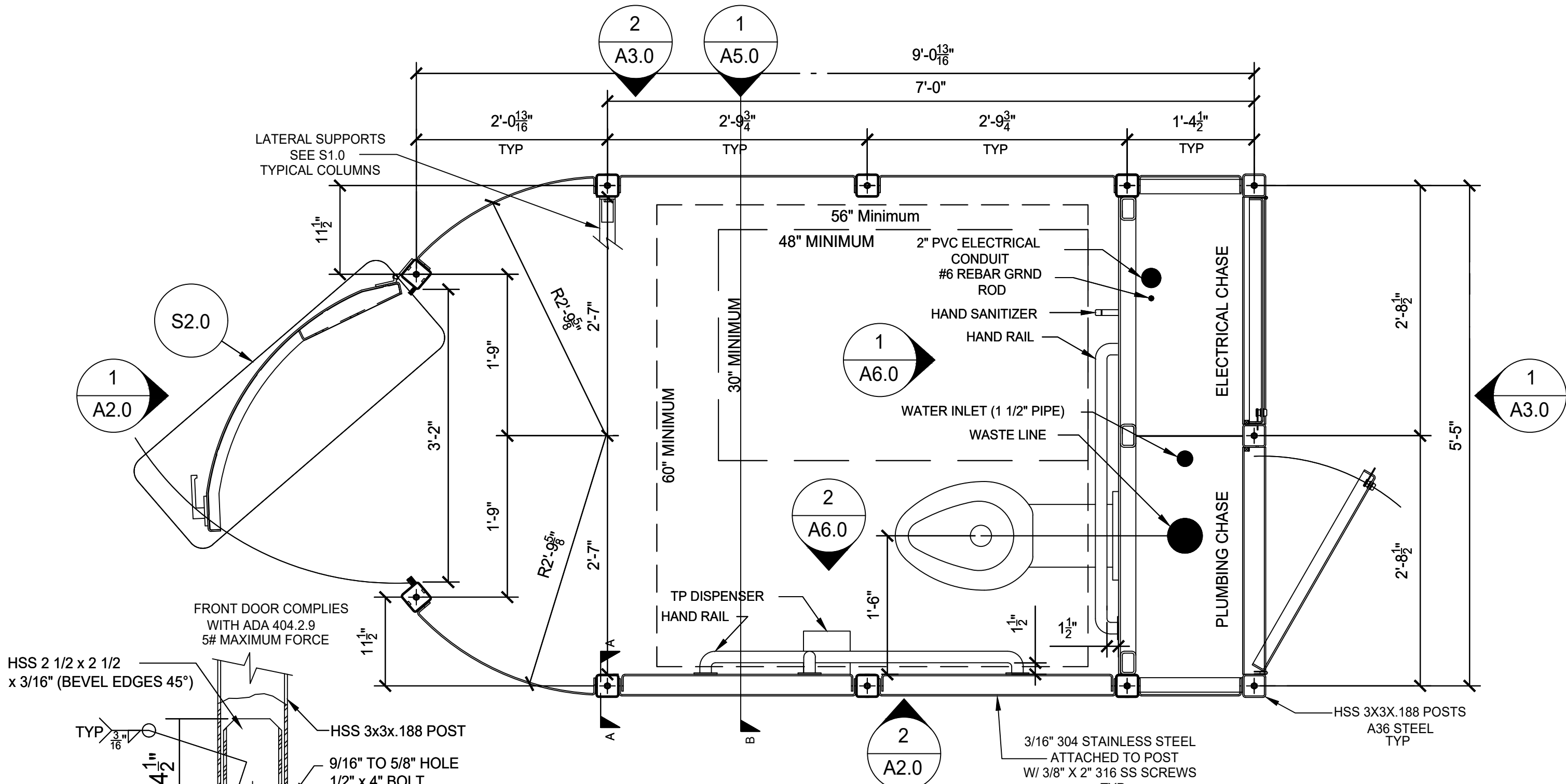
DESIGN INFORMATION

1. DESIGN IS BASED ON INTERNATIONAL BUILDING CODE IBC 2016 EDITION AND ASCE7-10
2. SNOW LOAD=25 PSF MAX
3. WIND DESIGN CRITERIA: 175 MPH (3-SECOND GUST) EXPOSURE C
4. SEISMIC DESIGN CRITERIA: SDS=1.0 MAXIMUM, R-6.5 (LIGHT FRAME SHEAR WALL), IMPORTANCE FACTOR=1
5. SEISMIC DESIGN CATEGORY: D
6. SITE CLASS D
7. CONTRACTOR TO VERIFY DESIGN PARAMETERS SHOWN WITH ACTUAL SITE CONDITIONS AND INSURE ACTUAL SITE PARAMETERS NOT EXCEED DESIGN

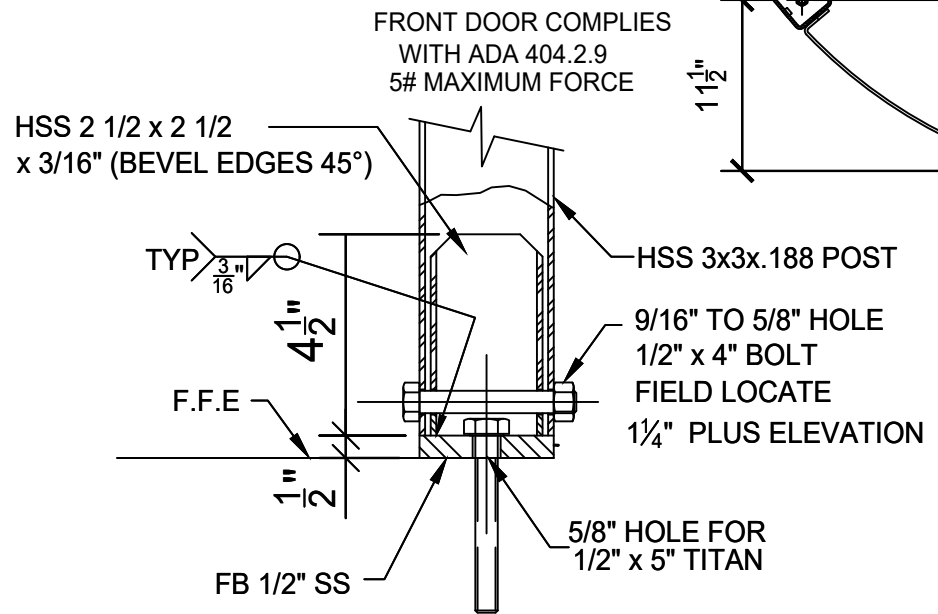
SHEET INDEX

A0.0	COVER SHEET
A1.0	FLOOR PLAN
A2.0	EXTERIOR ELEVATIONS FRONT & RIGHT SIDE
A3.0	EXTERIOR ELEVATIONS BACK & LEFT SIDE
A4.0	ROOF LAYOUT
A5.0	INTERIOR SECTION VIEWS
A6.0	INTERIOR SECTION VIEW
S1.0	COLUMN AND BEAM LAYOUT
S2.0	FRONT DOOR
S3.0	FOUNDATION & ANCHOR BOLT LOCATIONS
P1.0	PLUMBING FLOOR PLAN
P2.0	PLUMBING DETAIL
E1.0	ELECTRICAL SCHEMATIC
E2.0	HOT WATER SYSTEM

					MADDEN FABRICATION	SALINAS, CA						
						COVER SHEET						
					2550 NW 25th Place Portland, OR. 97210 Phone: (503) 226-3968 Fax (503) 242-2446				NAME	DATE	SERIAL NO.	DRW. NO.
REV	DATE	DESCRIPTION	DRN	APP'D	LEO	11/16/2016		A0.0				

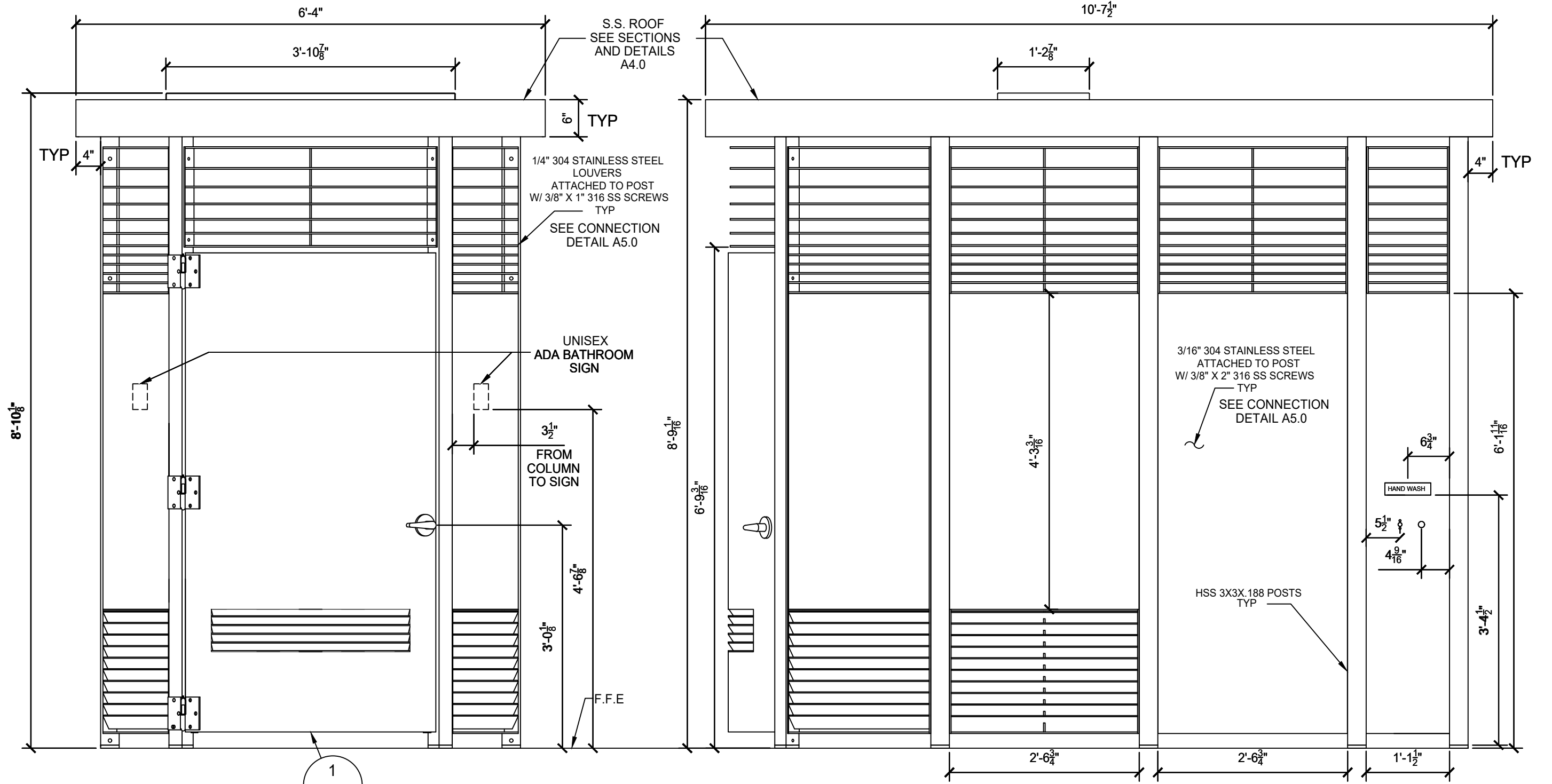


INTERNAL TOP VIEW
AND ANCHOR BOLT LOCATIONS



SECTION A-A
Typ anchoring system
(11) REQ'D

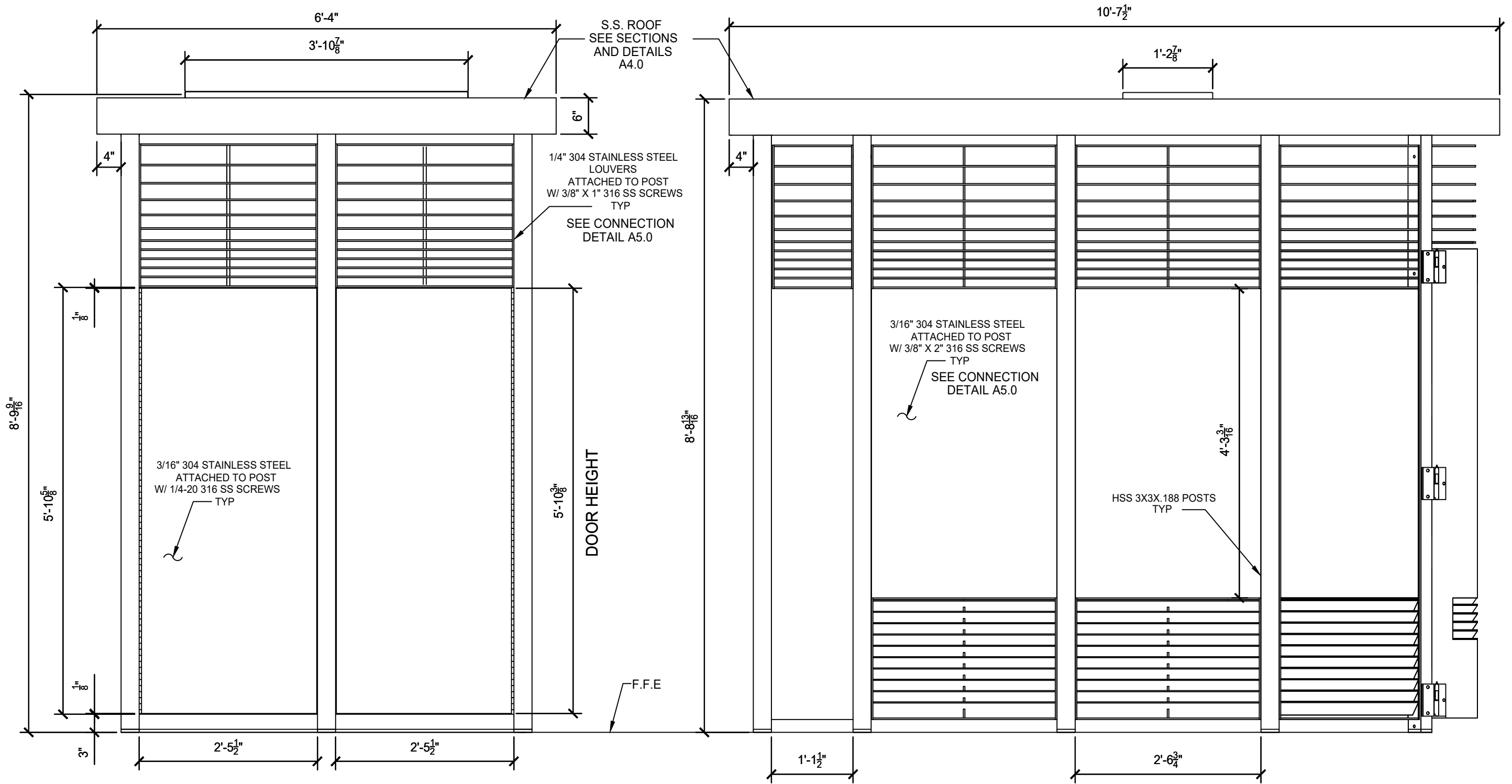
					MADDEN FABRICATION	SALINAS, CA				
						FLOOR PLAN				
REV	DATE	DESCRIPTION	DRN	APP'D	2550 NW 25th Place Portland, OR 97210 Phone: (503) 226-3968 Fax (503) 242-2446		NAME	DATE	SERIAL NO.	DRW. NO.
							LEO	11/16/2016		A1.0



1 FRONT ELEVATION VIEW
A2.0

2 RIGHT ELEVATION VIEW
A2.0

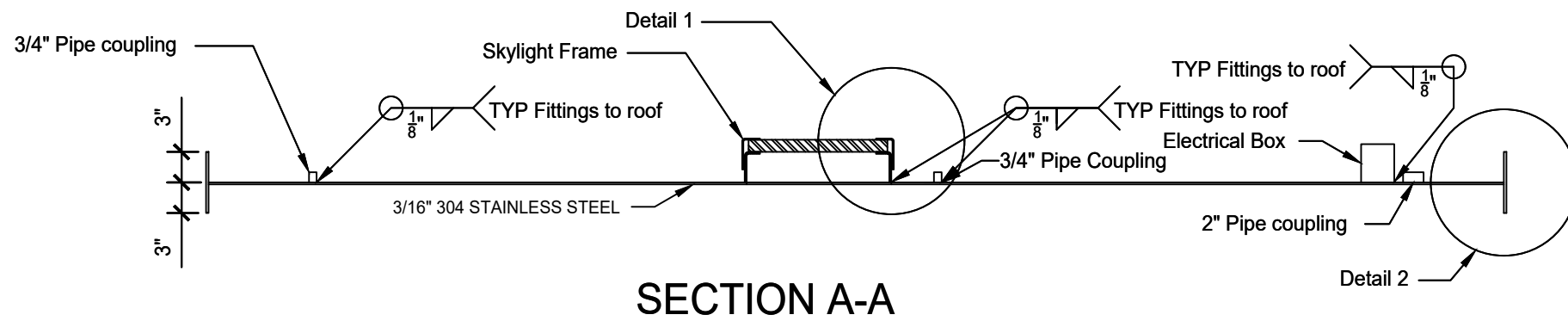
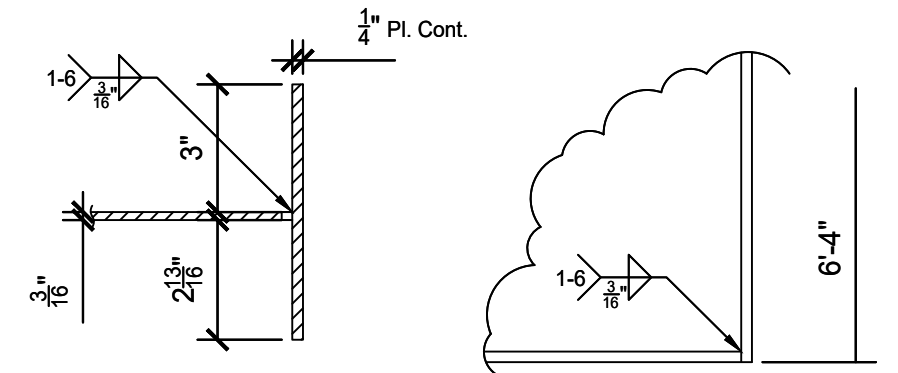
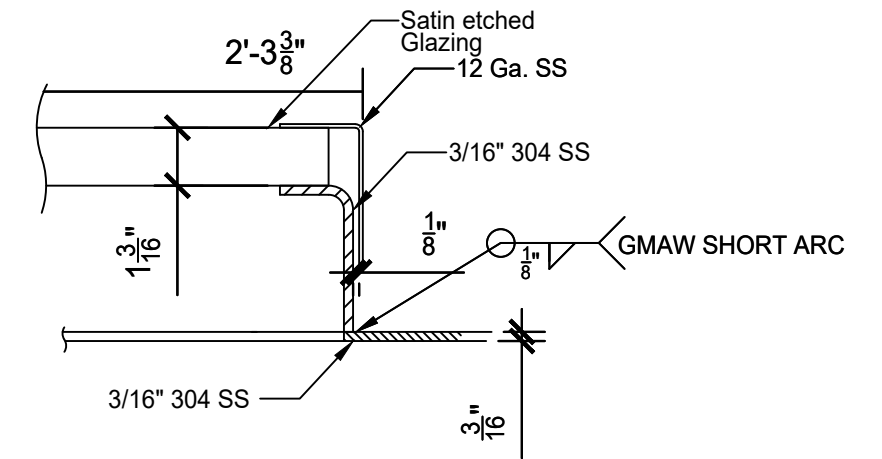
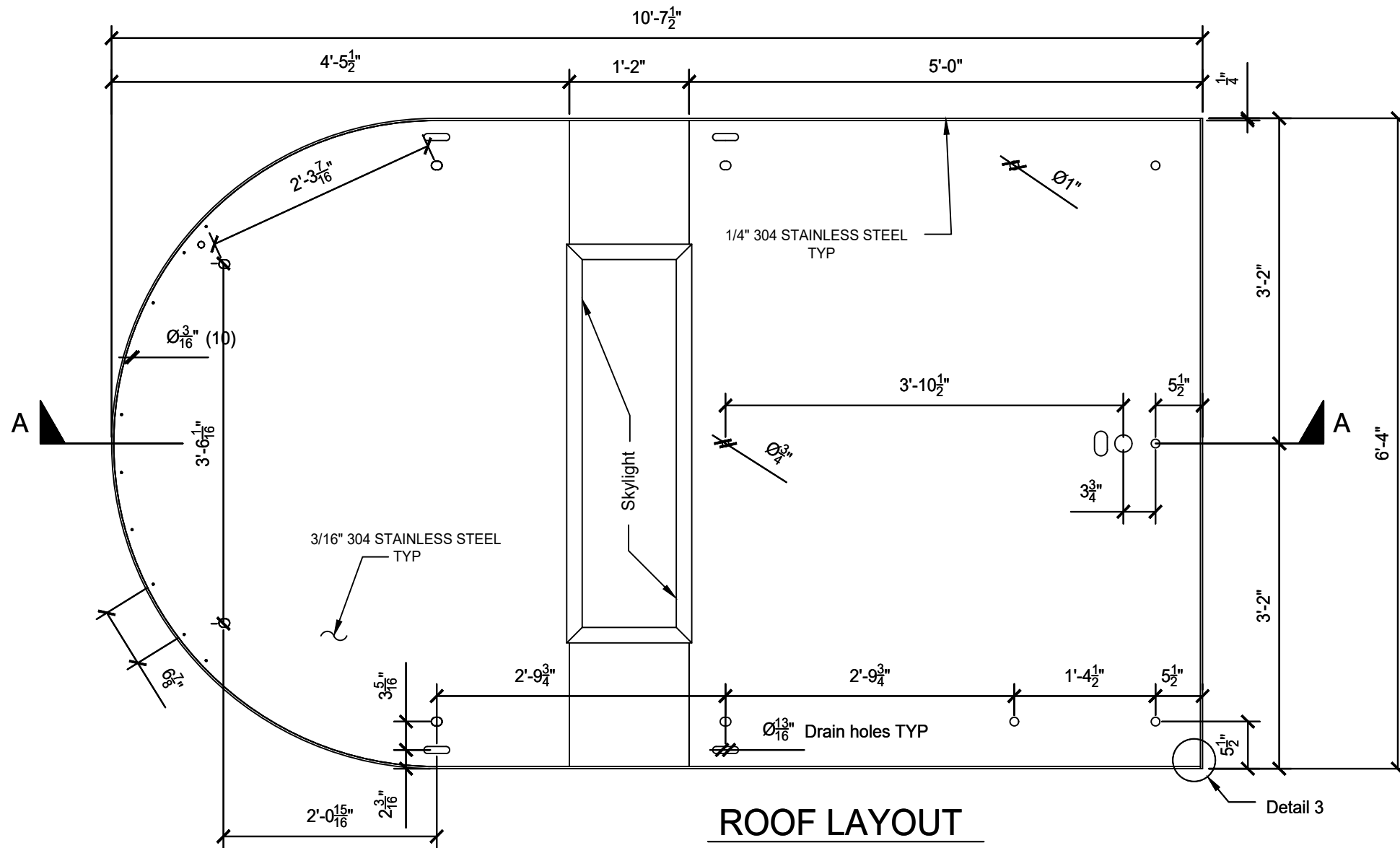
					MADDEN FABRICATION	SALINAS, CA			
						EXTERIOR ELEVATIONS FRONT & RIGHT SIDES			
REV	DATE	DESCRIPTION	DRN	APP'D	2550 NW 25th Place Portland, OR 97210 Phone: (503) 226-3968 Fax (503) 242-2446	NAME	DATE	SERIAL NO.	DRW. NO.
						LEO	11/16/2016		A2.0



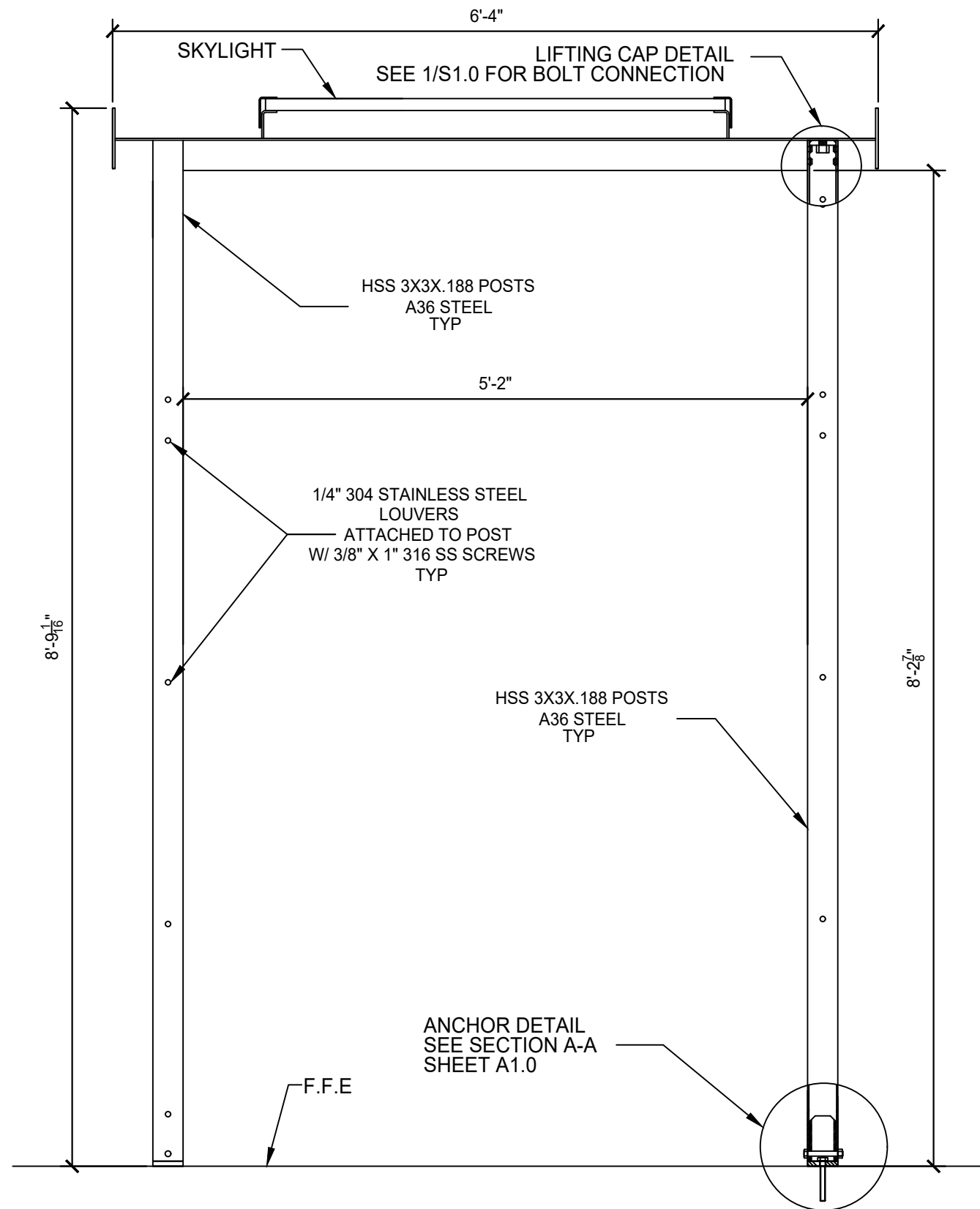
1 BACK ELEVATION VIEW
A3.0

2 LEFT ELEVATION VIEW
A3.0

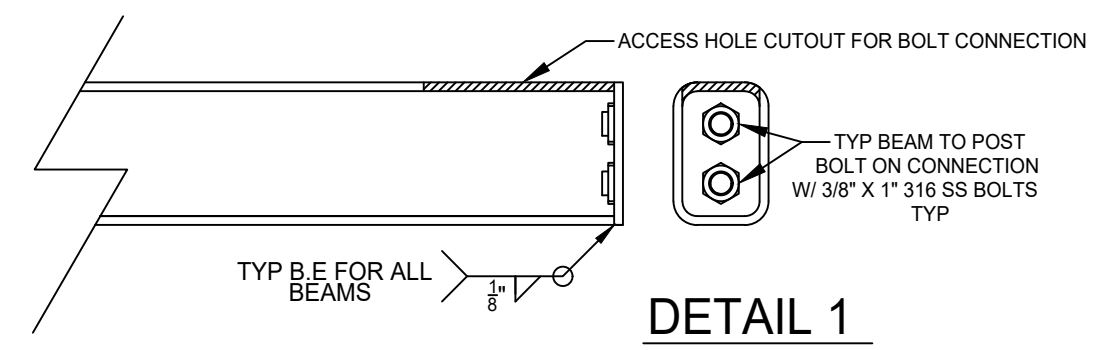
					MADDEN FABRICATION	SALINAS, CA			
						EXTERIOR ELEVATIONS FRONT & RIGHT SIDES			
REV	DATE	DESCRIPTION	DRN	APP'D	2550 NW 25th Place Portland, OR. 97210 Phone: (503) 226-3968 Fax (503) 242-2446	NAME	DATE	SERIAL NO.	DRW. NO.
						LEO	11/16/2016		A3.0



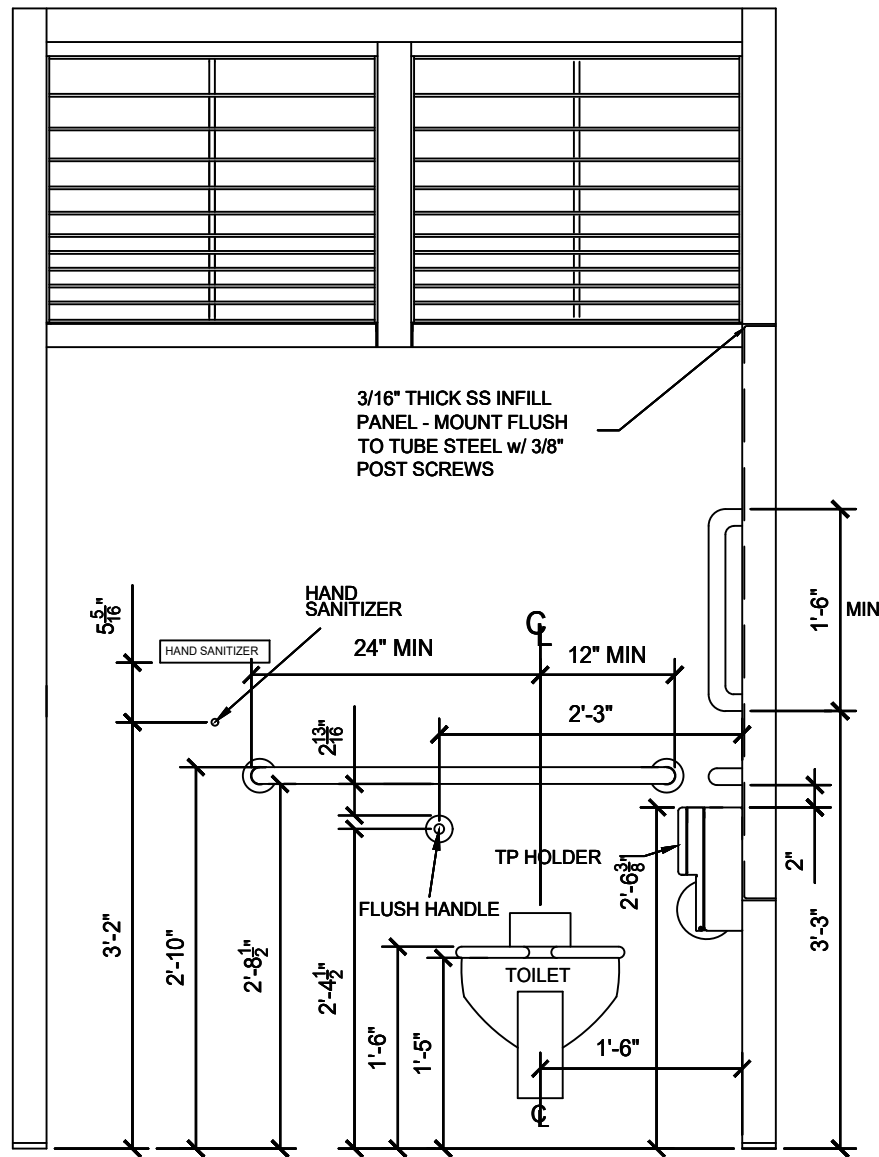
					MADDEN FABRICATION	SALINAS, CA				
						ROOF LAYOUT				
REV	DATE	DESCRIPTION	DRN	APP'D	2550 NW 25th Place • Portland, OR 97210 Phone: (503) 226-3968 Fax (503) 242-2446		NAME	DATE	SERIAL NO.	DRW. NO.
							LEO	11/16/2016		A4.0



B-B INTERIOR ELEVATION VIEW
A1.0

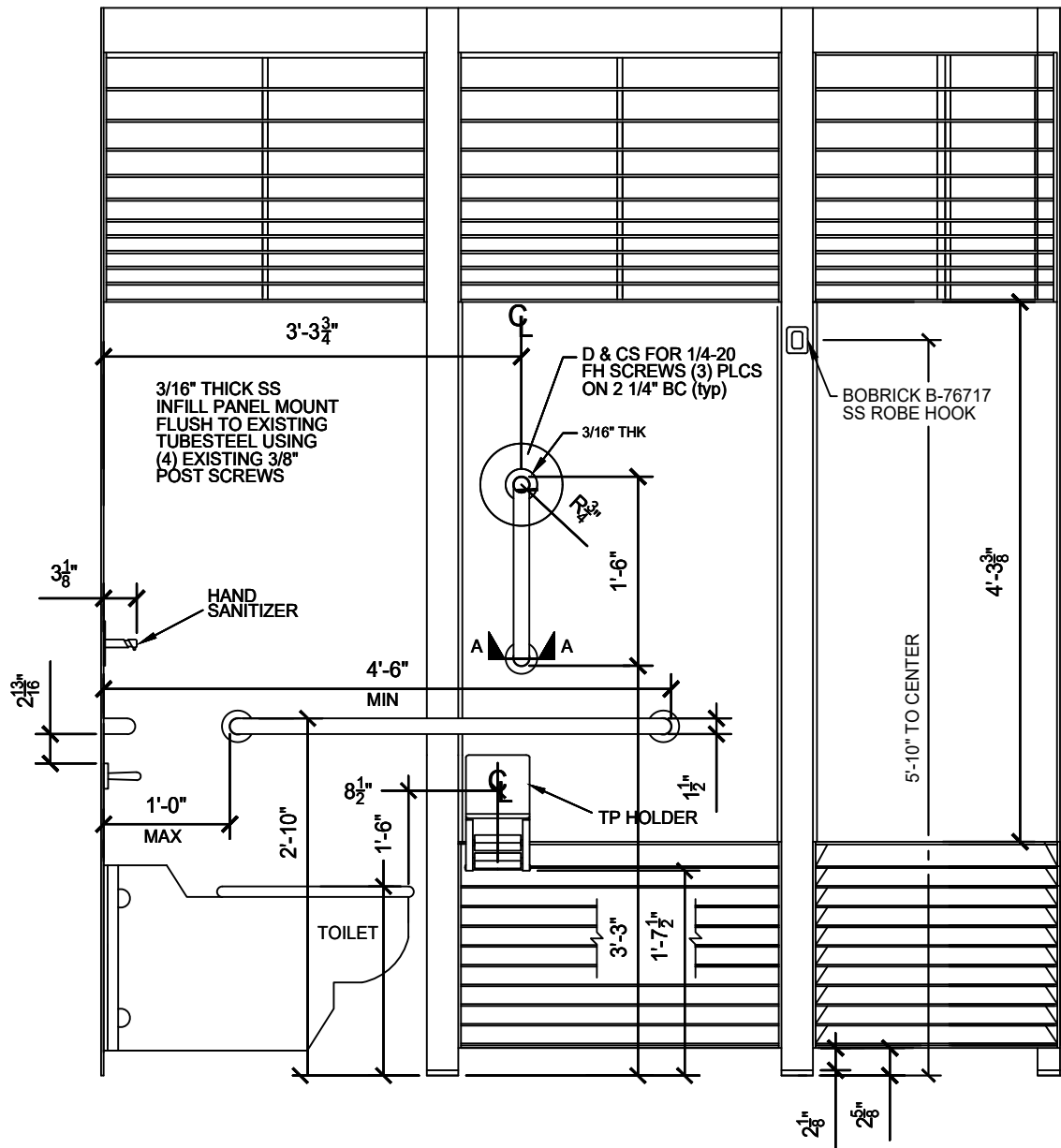


					MADDEN FABRICATION	SALINAS, CA			
						INTERIOR SECTION VIEW			
REV	DATE	DESCRIPTION	DRN	APP'D	2550 NW 25th Place • Portland, OR. 97210 Phone: (503) 226-3968 Fax (503) 242-2446	NAME	DATE	SERIAL NO.	DRW. NO.
						LEO	11/16/2016		A5.0



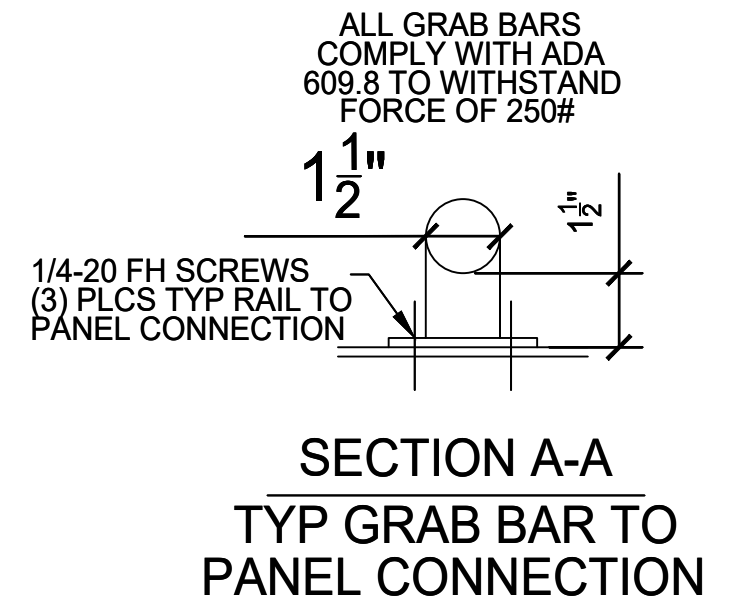
1 WATER CLOSET RAILING

A6.0 1 1/2"Øx.120" wall ss
 PL 3/16" 304 SS
 (1) Assm REQ'D

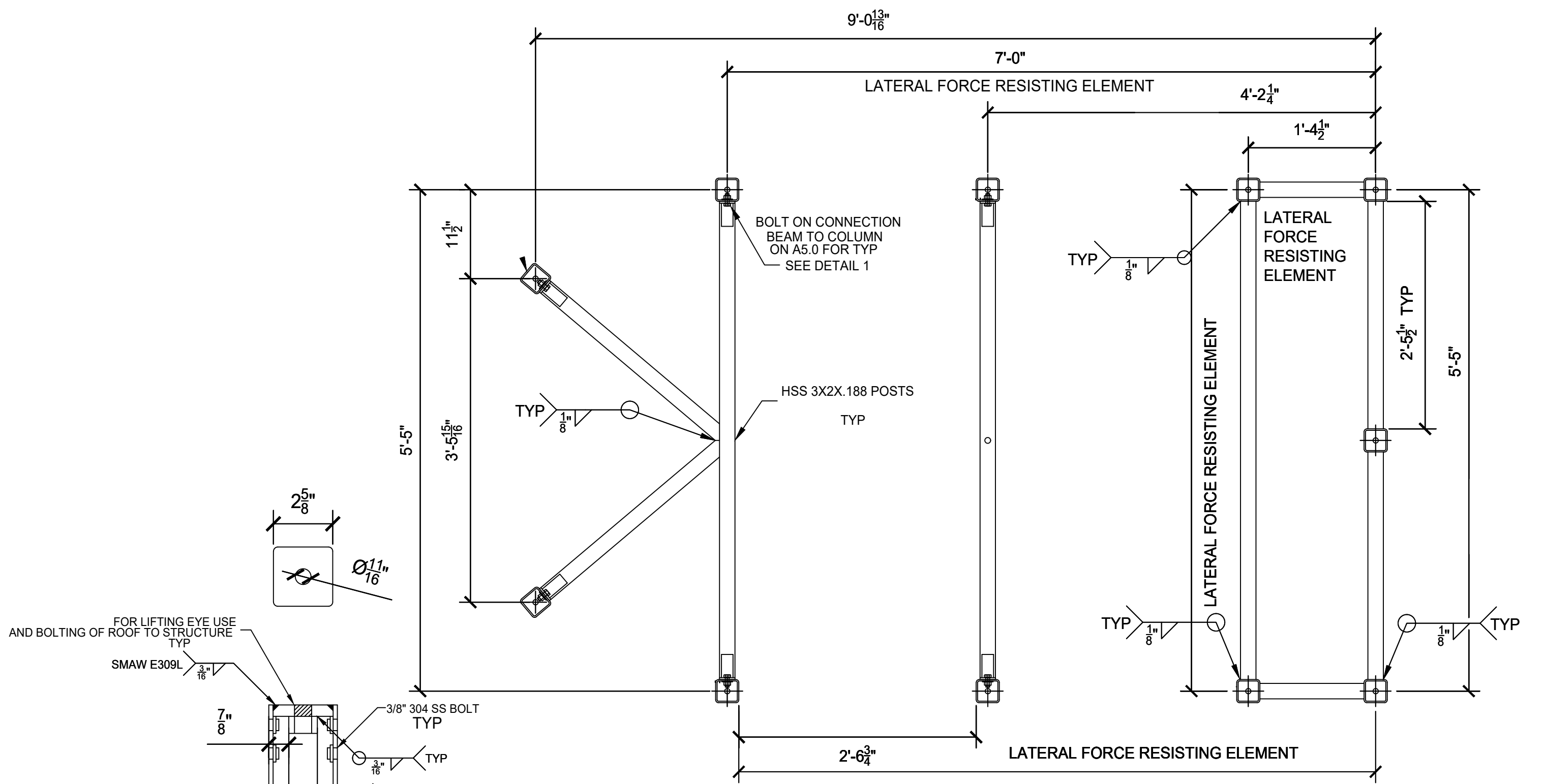


2 WATER CLOSET RAILING

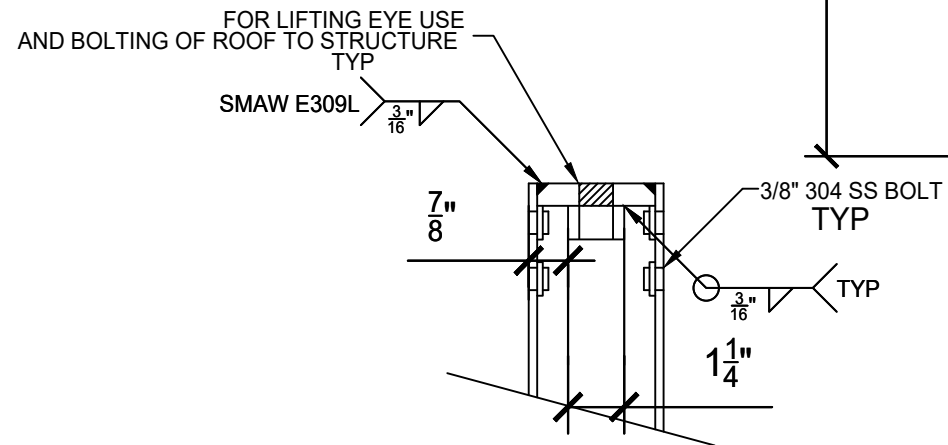
A6.0 1 1/2"Øx.120" wall ss
 PL 3/16" 304SS
 (1) Assm REQ'D



					MADDEN FABRICATION	SALINAS, CA				
						INTERIOR SECTION VIEWS				
REV	DATE	DESCRIPTION	DRN	APP'D	2550 NW 25th Place • Portland, OR. 97210 Phone: (503) 226-3968 Fax (503) 242-2446		NAME	DATE	SERIAL NO.	DRW. NO.
							LEO	11/16/2016		A6.0

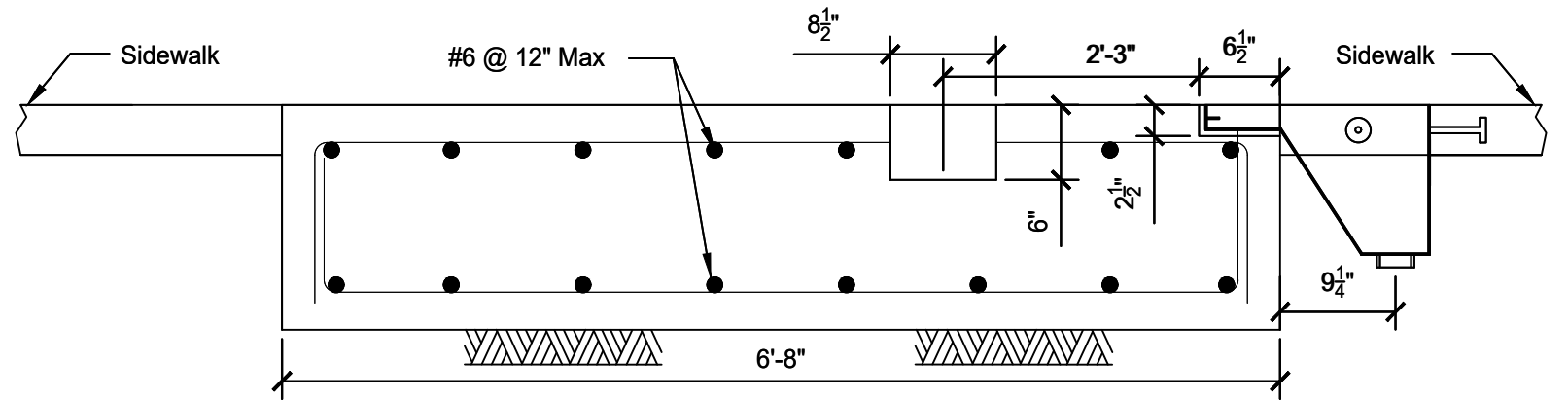
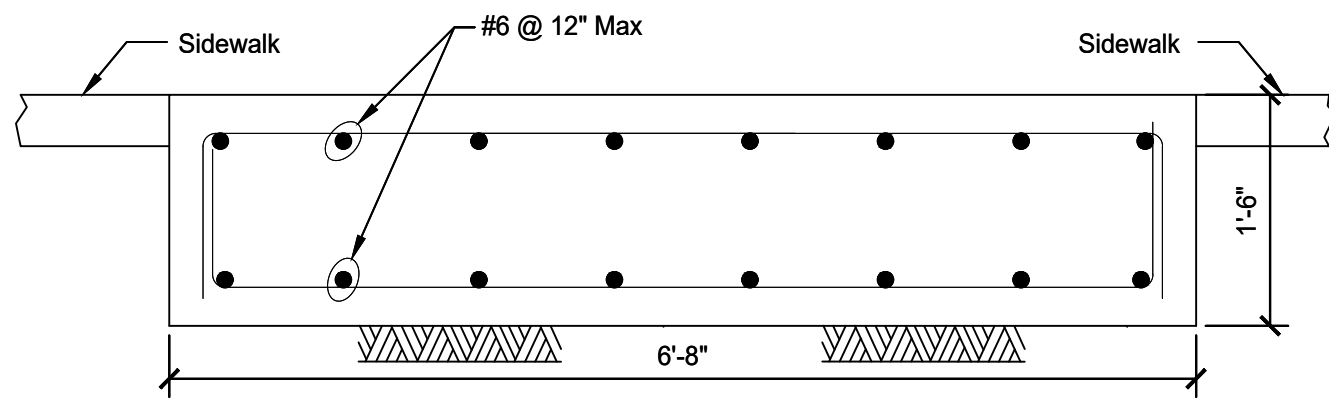


COLUMN AND BEAM LAYOUT



1
S1.0
COLUMN LIFTING CAP
1/2" 304 SS
TAP FOR 3/4-10 Bolt
(11) REQ'D

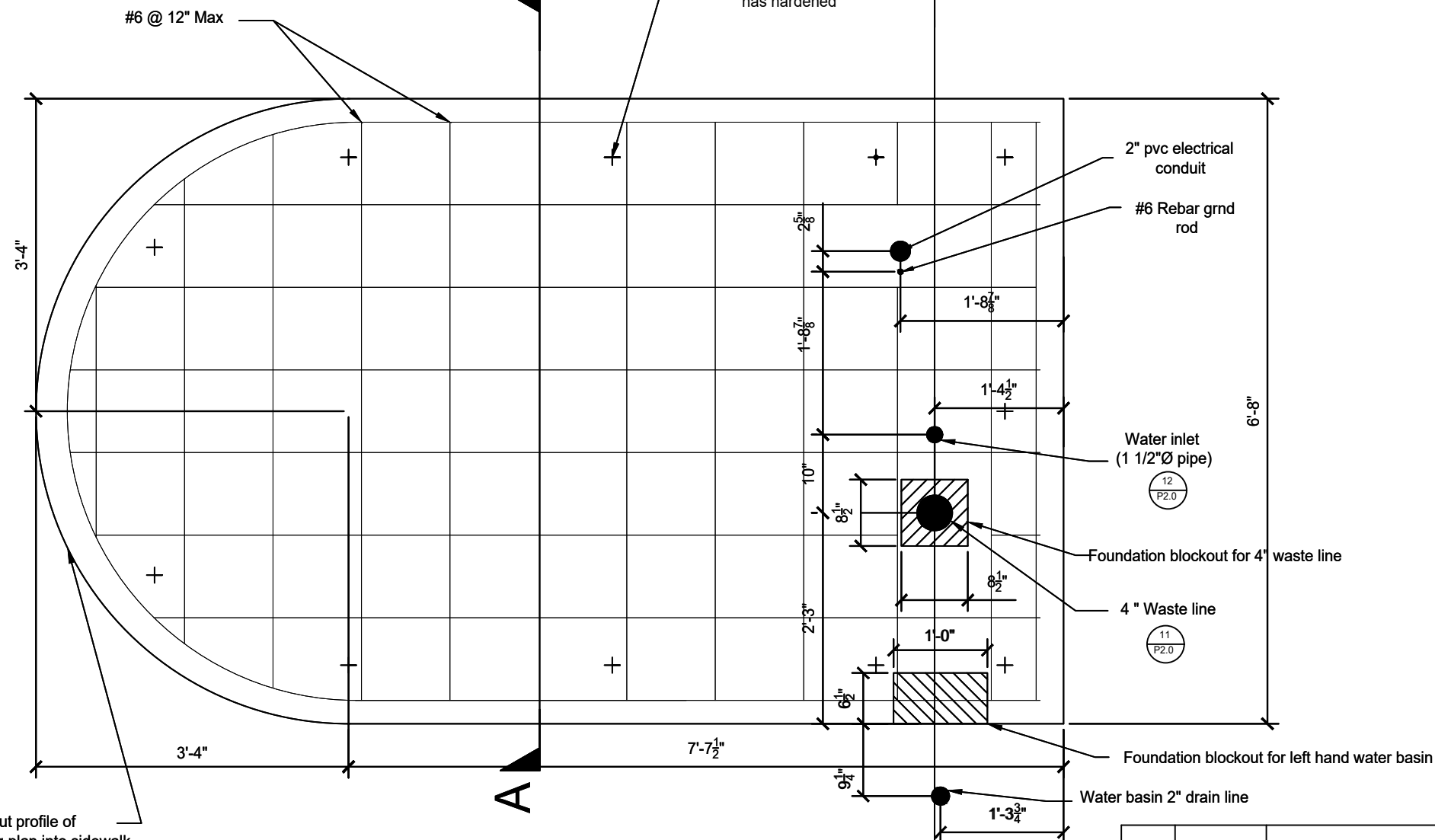
					MADDEN FABRICATION	SALINAS, CA				
						COLUMN & BEAM LAYOUT				
REV	DATE	DESCRIPTION	DRN	APP'D	2550 NW 25th Place • Portland, OR 97210 Phone: (503) 226-3968 Fax (503) 242-2446		NAME	DATE	SERIAL NO.	DRW. NO.
							LEO	11/16/2016		S1.0



SECTION **A-A**

SECTION **B-B**

Anchor bolt locations
for stanchions
1/2" Hole 5" deep
To be drilled after concrete
has hardened



GENERAL NOTES:

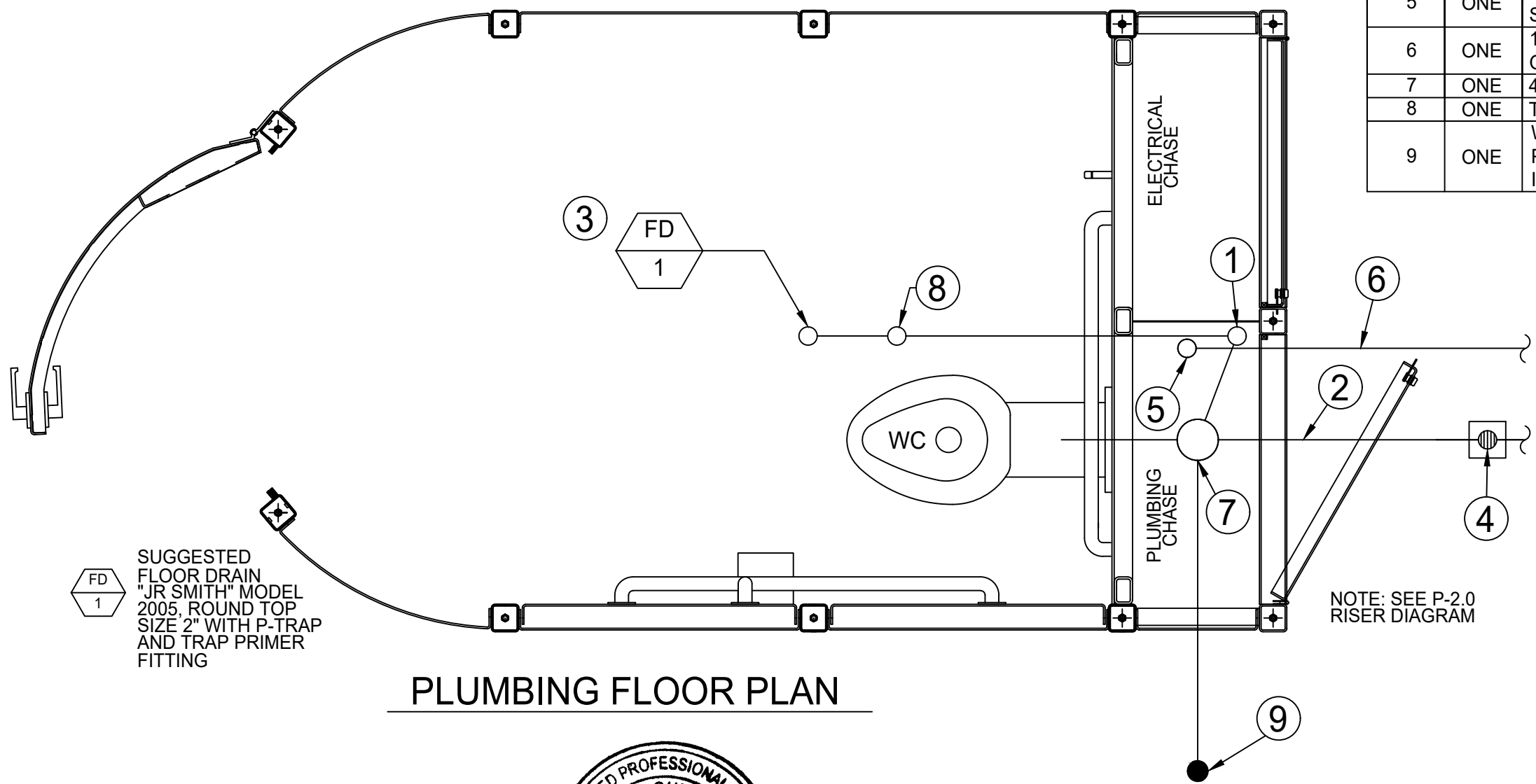
1. Provide all materials and perform all work according to the current edition of the Specifications of the Authority Having Jurisdiction.
2. All concrete shall be Structural Class 4000. FC = 4000
3. All reinforcing steel shall conform to ASTM A706 or A615 Grade 60.
4. Place bars 3 inches clear of the nearest face of concrete unless shown otherwise.
5. Concrete footing may be poured integrally with 4' sidewalk, providing a deep cut tool joint is located around perimeter of footing.
6. Stanchions section "A-A" / A1.0 to be fastened to the concrete using 1/2"x5" titens. The Loos columns to be fastened the the stanchions.
7. Location of anchor bolts to be located and drilled using template provided before installation by Madden Fabrication.

Saw cut profile of footing plan into sidewalk

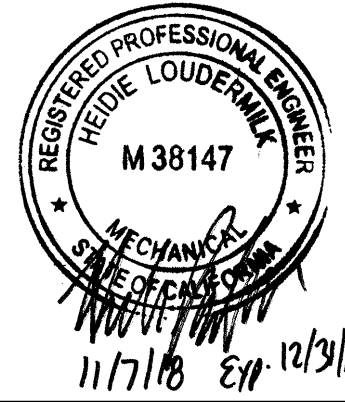
FOUNDATION & ANCHOR BOLT LOCATIONS
Standard hand wash drain location

					MADDEN FABRICATION	SALINAS, CA			
						FOUNDATION & ANCHOR BOLT LOCATIONS			
REV	DATE	DESCRIPTION	DRN	APP'D	2550 NW 25th Place Portland, OR. 97210 Phone: (503) 226-3968 Fax (503) 242-2446	NAME	DATE	SERIAL NO.	DRW. NO.
						LEO	11/16/2016		S3.0

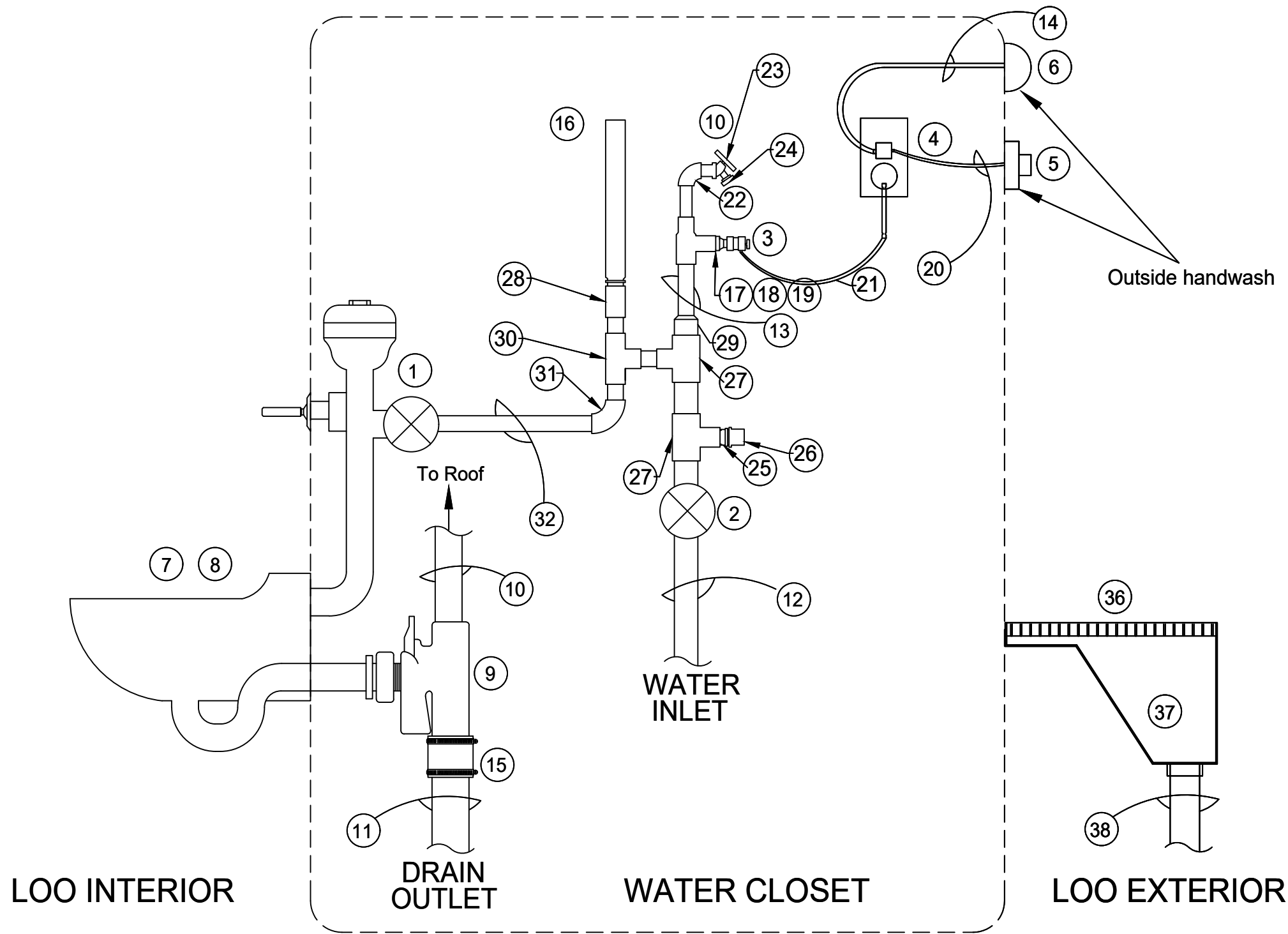
BILL OF MATERIAL			
ITEM	QTY	DESCRIPTION	MFG.
1	ONE	2" VENT PIPE TUBE TO ROOF	VARIOUS
2	ONE	WASTE PIPING 4" SDR 35 PVC SEWER LINE TO P.O.C.	VARIOUS
3	ONE	ROUTE CW SUPPLY TO FLOOR DRAIN P-TRAP FROM TRAP PRIMING LOCATED IN PLUMBING CHASE (SUGGESTED)	JAY R. SMITH
4	ONE	SUGGESTED 4" GRADE CLEAN-OUT	VARIOUS
5	ONE	WATER INLET 1-1/2" C.W. SUPPLY SHOWN ON SHEET 7	VARIOUS
6	ONE	1-1/2" C.W. SUPPLY TO SOV SHOWN ON SHEET 7	VARIOUS
7	ONE	4" SEWER LINE CARRIER SHOW ON P2.0	VARIOUS
8	ONE	TRAP PRIMER VALVE	PRIME-RIGHT
9	ONE	WASH BASIN FLOOR DRAIN P-TRAP FROM TRAP PRIMING LOCATED IN PLUMBING CHASE	VARIOUS



PLUMBING FLOOR PLAN

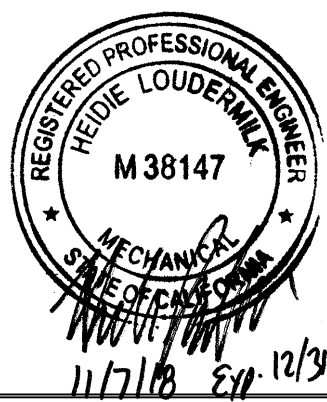


					MADDEN FABRICATION	SALINAS, CA				
						PLUMBING FLOOR PLAN				
REV	DATE	DESCRIPTION	DRN	APP'D	2550 NW 25th Place Portland, OR. 97210 Phone: (503) 226-3968 Fax (503) 242-2446		NAME	DATE	SERIAL NO.	DRW. NO.
							LEO	11/16/2016		P1.0



BILL OF MATERIAL

ITEM	QTY	DESCRIPTION	MFG.
1	ONE	140-1.28 w/ MBFW FLOW UNIT	SLOAN
2	ONE	1 1/2" MAIN SHUT OFF VALVE	VARIOUS
3	ONE	1" - 1/4 TURN SHUT OFF VALVE	VARIOUS
4	ONE	03-M-BPH-PBH AIR CONTROL	ACORN
5	ONE	AIR CONTROL PUSH BUTTON	ACORN
6	ONE	HEMISPHERICAL WATER SPOUT	ACORN
7	ONE	2105-W-1-CN DURA-WARE TOILET	ACORN
8	ONE	DURABLE PLASTIC TOILET SEAT	ACORN
9	ONE	440 Y CARRIER	JAY R. SMITH
10	ONE	2" CAST IRON SCH 40 PIPE	VARIOUS
11	ONE	4" SEWER DRAIN	OTHERS
12	ONE	1-1/2" CU SUPPLY (TYPE L)	OTHERS
13	ONE	3/4" IPS CU PIPE (TYPE L)	VARIOUS
14	ONE	3/8" RISER TUBING	ACORN
15	ONE	4" RUBBER COUPLING	FERNCO
16	ONE	EXPANSION HAMMER DEVICE	VARIOUS
17	ONE	1" TO 3/4" DOUBLE REDUCING TEE	VARIOUS
18	ONE	3/4" TO 1/2" THREADED REDUCER	VARIOUS
19	ONE	3/4" TO 1/2" REDUCER	VARIOUS
20	ONE	1/8" PLASTIC AIR LINE	ACORN
21	ONE	1/2" MESH WATER HOSE	VARIOUS
22	ONE	3/4" 90 DEGREE ELBOW PIPE	VARIOUS
23	ONE	HOSE BIB	VARIOUS
24	ONE	ANTI SIPHON	VARIOUS
25	ONE	SOLDERED THREADED FITTING	VARIOUS
26	ONE	1" THREADED CAP	VARIOUS
27	TWO	1 1/2" TO 1" REDUCING TEE	VARIOUS
28	ONE	1" TO 1" FEMALE THREADED COUPLER	VARIOUS
29	ONE	1 1/2" TO 1" REDUCER	VARIOUS
30	ONE	1" TEE	VARIOUS
31	ONE	1" 90 DEGREE ELBOW PIPE	VARIOUS
32	ONE	1" CU PIPE (TYPE L)	VARIOUS
33	ONE	1 1/2" TO 1" REDUCING TEE	VARIOUS
34	ONE	1 1/2" TO 1" REDUCING TEE	VARIOUS
35	ONE	1 1/2" TO 1" REDUCING TEE	VARIOUS
36	ONE	1" ADA FIBERGLASS GRATE	MADDEN FAB
37	ONE	EMBEDDED SS BASIN W/ 2" COUPLING	MADDEN FAB
38	ONE	2" SEWER PIPE	OTHERS



Larson
Engineering Inc.

REV	DATE	DESCRIPTION	DRN	APP'D

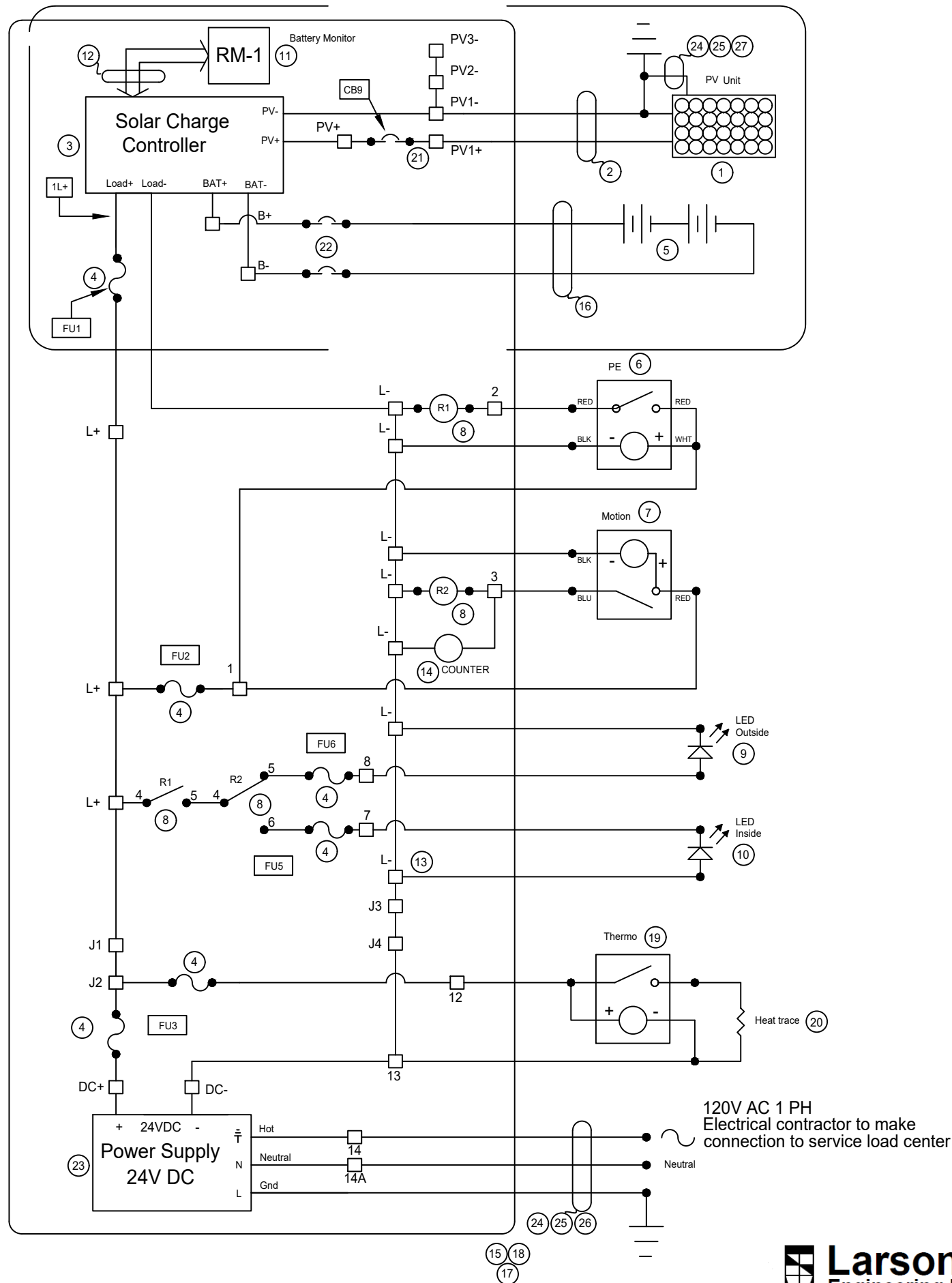
MADDEN
FABRICATION

2550 NW 25th Place Portland, OR 97210
Phone: (503) 226-3968 Fax (503) 242-2446

SALINAS, CA

PLUMBING DETAIL

NAME	DATE	SERIAL NO.	DRW. NO.
LEO	11/16/2016		P2.0



FUSE/BREAKER DESCRIPTION

FU1	MAIN LOAD
FU2	PE/MOTION
FU3	HEAT TRACE
FU4	NOT USED
FU5	INSIDE LED LIGHT
FU6	OUTSIDE LED LIGHT
CB8	MAIN 24VDC BREAKER
CB9	PV1 BREAKER
CB10	PV2 BREAKER
CB11	PV3 BREAKER

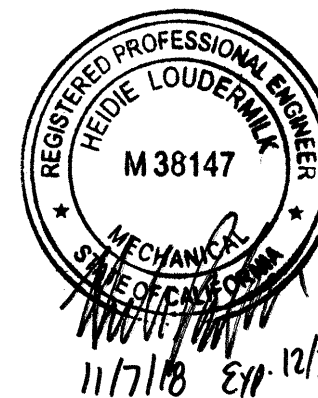
TERMINAL DETAIL

Sol+
Sol+
Sol-
Sol-
L-
L-
L-
L-
L+
L+
1
1
1
2
3
3
7
8
12
13
13
14
14A
J1
J2
J3
J4

BILL OF MATERIAL

ITEM	QTY	DESCRIPTION	MFG.
1	1 - 3	Grape Solar 160W PV Module (or equal)	GRAPE SOLAR
2	1 - 3	MC 4 Cable 30' #10AWG	RLH INDUSTRIES
3	ONE	SS-MPPT-15L SOLAR CHARGE CONTROLLER	MORNINGSTAR CORP
4	5-7	6A-600V Fuse LPCC-6	Buss
5	TWO	MK 8A24 LTP Sealed AGM Battery	MK Battery
6	ONE	24V Photocell EM-24A2	Watt Stopper
7	ONE	Occupancy Sensor WPIR-24	Watt Stopper
8	TWO	24V DC relay RH1B-U-DC24V	IDEC
9	ONE	24V LED Light Rope, White 3W/Ft x 4ft	Imtra Corp
10	TWO	24", 24V, 5W LED Blue Actinic	Current USA
11	ONE	Battery system monitor RM-1	Morningstar
12	ONE	RJ-11 Meter Cable	VARIOUS
13	ONE	Ground Bus 44CONN-AL	ITE
14	ONE	V8-4816 6 DIGIT COUNTER	REDINGTON COUNTERS
15	ONE	NEMA1 Enclosure 20"x20" 20206-1	BENC
16	ONE	6ga Battery Harness cable	ALLBATTERY
17	Lot	14ga Cu wire THHN-14-19STR-CU	VARIOUS
18	Lot	10ga Cu wire Varies	VARIOUS
19	ONE	Solstat 2-20 Solid State Thermostat	ENGENITY
20	ONE	Heat trace - 10 ft, 24V, 3W/ft Kompensator	HEATLINE
21	ONE	15 Amp, 150V DC Breaker	ALTEC CORP
22	ONE	63 Amp, 125V DC Breaker	ALTEC CORP
23	ONE	Sola Power Supply SDN-10-24-100C	Sola Inc
24	ONE	LOAD CENTER, 70A Q024L70S 2 BRKR	SQUARE D
25	ONE	Approved UFER ground connection to rebar Sht S2.0	BY OTHERS
26	ONE	4ga Cu wire insulated	VARIOUS
27	LOT	6ga Cu wire insulated	VARIOUS
28	1-3	6ga crimp eyelet and mechanical fastener to PV	VARIOUS
Items not shown on schematic			
A	Lot	Din Rail 2M - 2 ft	WEIDMULLER
B	EIGHT	Modular Fuse Holder CHCC1DI	BUSS
C	TWO	Relay Pin Base 70-459	MAGNECRAFT
D	20	Terminal splice unit	WEIDMULLER
E	TWO	1-5/8" x 1-5/8" x 69" B22SH strut	B-Line or Equal
F	FOUR	3/8" Spring Nut N228	B-Line or Equal
G	FOUR	10-1/2" Shelf Bracket S-205	B-Line or Equal
H	ONE	NEMA1 Panel 20"x20" AW2020	BENC
VARIOUS			

Jumper Power Configuration	J1 to J2	J3 to J4
Solar Powered only (3 panels)	Yes	Yes
AC Power Only	Yes	Yes
Hybrid AC/Solar Powered (1-2 panels)	No	No



MADDEN FABRICATION

SALINAS, CA

ELECTRICAL SCHEDMATIC

REV	DATE	DESCRIPTION	DRN	APP'D	NAME	DATE	SERIAL NO.	DRW. NO.
					LEO	11/16/2016		E1.0

2550 NW 25th Place Portland, OR 97210
Phone: (503) 226-3968 Fax (503) 242-2446